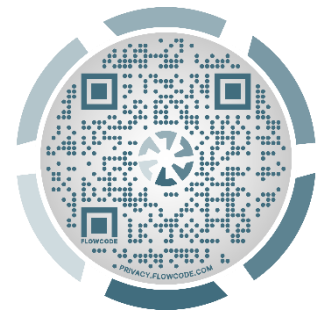


## Orbital Flex™ Design ML2000



### KEY FEATURES

- High Torque
- High Rigidity
- High Positional Accuracy
- Linear Torsional Stiffness
- Integrated Cross Roller Output Bearing

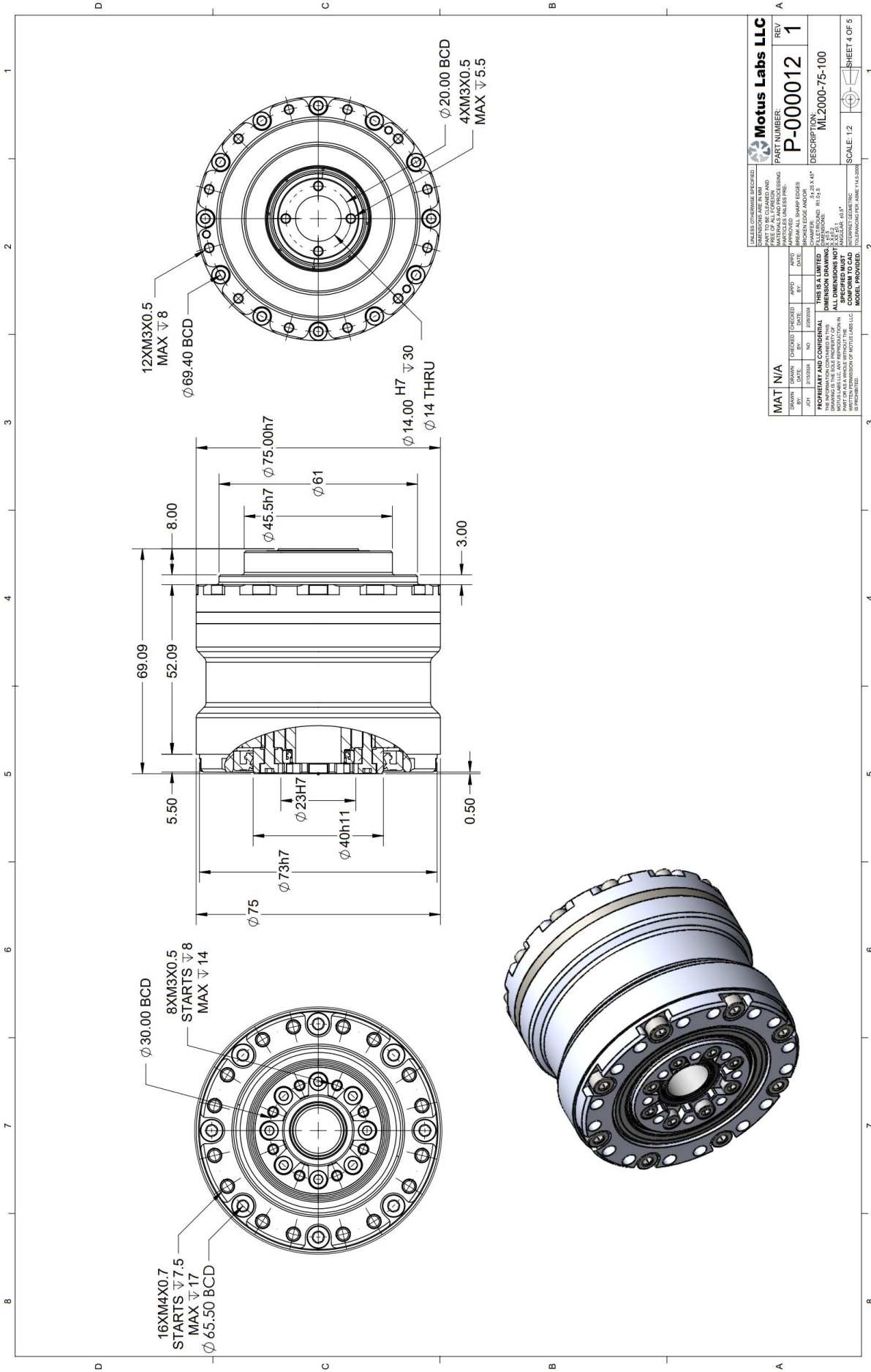
All of this, while maintaining zero backlash for 10,000 hours.

Specification	ML2000-75-100
Ratio	100:1
Rated Output Torque	20 Nm
Repeatable Peak Output Torque*	35 Nm
Rated Input Speed	2000 RPM
Repeatable Peak Input Speed*	4000 RPM
Efficiency*	Coming Soon
Backlash**	0 Arcsec
Starting Torque	0.3 Nm
Positional Accuracy (One-Way)	3 Arcmin
Mass	1 kg
Torsional Stiffness	4 Nm/Arcmin
Noise****	<70 dB

\* Under defined conditions \*\* Measured at less than 18 Arcsec \*\*\* Awaiting third party verification \*\*\*\* Noise at rated speed in ambient room

ML2000 Life Testing has demonstrated that the ML2000 gear series sustains critical specifications, such as zero backlash, **over a span of 10,000 hours** without experiencing any gear failures. Our thorough life testing procedure evaluates both gear degradation and failure, providing customers with insights into the degradation and eventual failure of our gears.

Motus Labs designs and builds precision gear solutions for robotic and motion control applications to enable superior actuator performance. Our innovative, patent pending Orbital Flex™ gear design offers high torque, high rigidity, and zero backlash for 10,000 hours. We create solutions for emerging robotics applications that require the most sophisticated engineering and performance.



MOTUS LABS LLC		REV 1	
PART NUMBER		P-000012	
DESCRIPTION		MLZ000-75-100	
SCALE: 1:2		SHEET 4 OF 5	
<p>PLEASE CHANGE SPECIFIED DIMENSIONS IN MM UNLESS OTHERWISE SPECIFIED. ALL DIMENSIONS ARE IN MM UNLESS OTHERWISE SPECIFIED. UNLESS OTHERWISE SPECIFIED, DIMENSIONS ARE IN MM UNLESS OTHERWISE SPECIFIED. UNLESS OTHERWISE SPECIFIED, DIMENSIONS ARE IN MM UNLESS OTHERWISE SPECIFIED.</p>			
MAT	N/A	CHECKED	APPROVED
DRAWN	DATE	DATE	DATE
NO.	NO.	NO.	NO.
<p>THIS IS A LIMITED DIMENSION DRAWING. ALL DIMENSIONS ARE IN MM UNLESS OTHERWISE SPECIFIED. UNLESS OTHERWISE SPECIFIED, DIMENSIONS ARE IN MM UNLESS OTHERWISE SPECIFIED.</p>			
<p>PROPRIETARY AND CONFIDENTIAL. THE INFORMATION CONTAINED IN THIS DRAWING IS THE PROPERTY OF MOTUS LABS LLC. ANY REPRODUCTION OR TRANSMISSION OF THIS INFORMATION WITHOUT THE WRITTEN PERMISSION OF MOTUS LABS LLC IS STRICTLY PROHIBITED.</p>			